



## 8 Data Channels Single Fiber Passive CWDM Mux/Demux SCMD-8A

### Product Description:

We designed EDGE Optics xWDM Series products to allow easy, gradual, logical and cost efficient expansion of network bandwidth using industry leading passive WDM technology. Main advantage of xWDM is its passive nature – no power supply or cooling necessary, robustness – no special micro-climate requirements and as passive element, it has MTBF 100+ Years. xWDM is – it is fully data rate or line protocol neutral – it is possible to use with colored transceivers supporting such applications as 1G/10G Ethernet, SDH/SONET and 8/4/2/1G Fiber Channel. It's simple to install, requires no configuration or maintenance.

SCMD-8A is passive multiplexer/De-multiplexer package based on Thin-Film Filter (TFF) technology, allowing organize 8 duplex and parallel protocol independent ITU-T G.694.2 compatible Coarse Wavelength Division Multiplex (CWDM) data streams over single fibre of single mode optical fiber. With our focus to provide maximally low insertion loss, SCMD-8A is equipped with band-pass or skip filters extending maximum distance of CWDM connections. SCMD-8A is manufactured as LGX type B module, installed in 19" 1U subrack fitting any standard equipment rack. SCMD-8A is used together with counterpart SCMD-8B module in other end of line. Monitor port(1%) ensures easy troubleshooting without downtime.

### Key Highlights:

- 8 CWDM Data Streams over Single SMF
- Fully Passive: No Power Supply or Cooling
- MTBF: 100+ Years
- Protocol & Data Rate neutral
- Low Insertion Loss - 3.0 dB
- Band-Pass / Skip filters Installed
- Compact: LGX Type B package
- Easy Installation & Expansion
- Monitoring Port for easy troubleshooting
- 5 Year Warranty

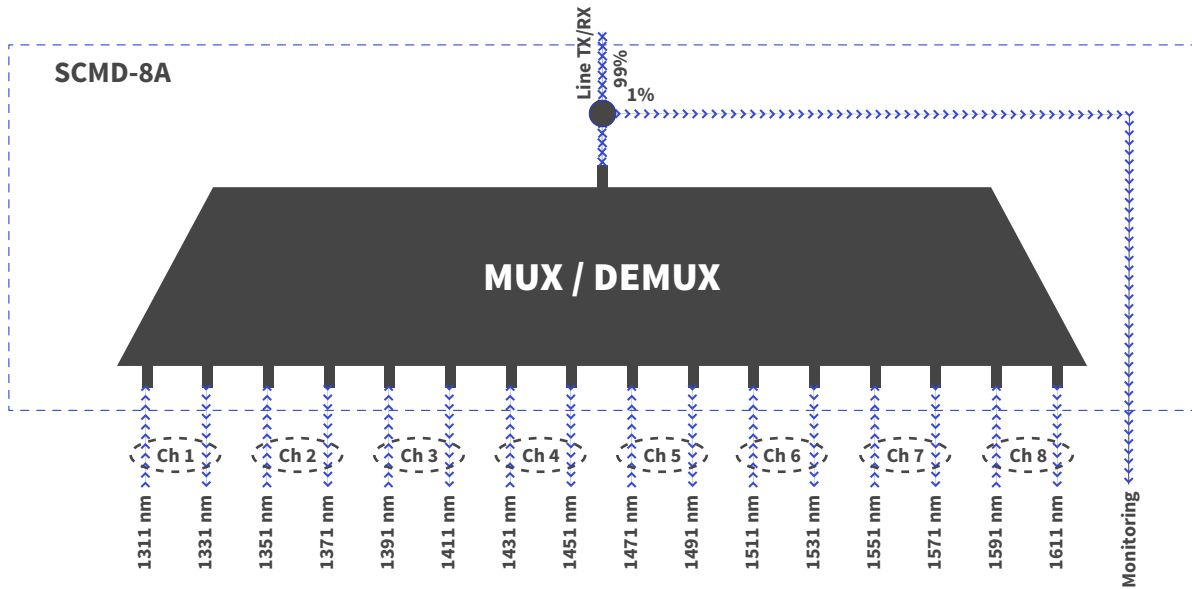


## Product Specification:

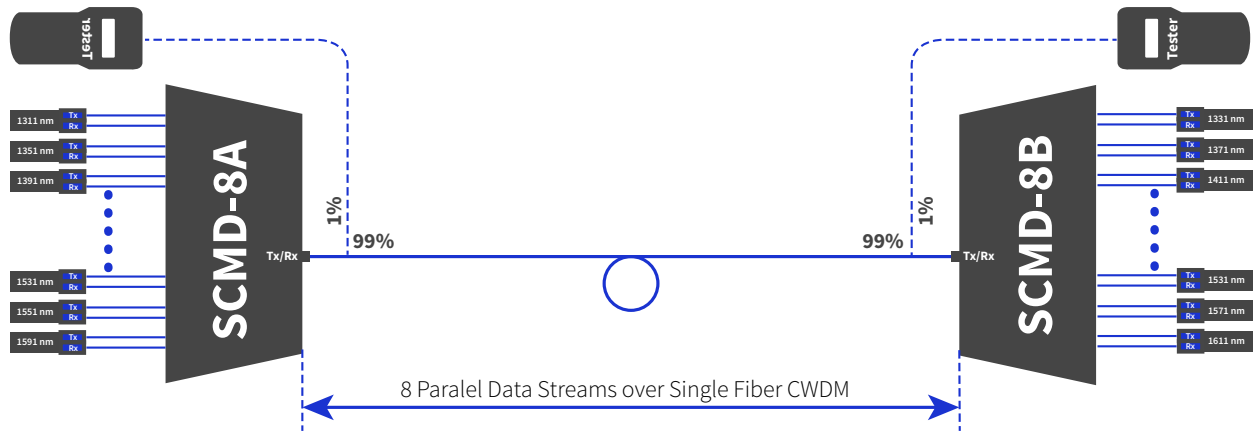
| Parameter                           |                    | Unit  | Value  |
|-------------------------------------|--------------------|-------|--|
| Product Type:                       |                    |       | CWDM MUX/DEMUX Unit  |
| Number of Data Streams:             |                    |       | 8  |
| Number of Channels                  |                    | Ch    | 16 CWDM Channels According ITU-T G.694.2   |
| Transport Media:                    |                    |       | Single Fiber Single Mode Fiber (SMF)   |
| Operating Wavelengths:              | center             | nm    | Ch1-Tx:1311nm Ch1-Rx:1331nm<br>Ch2-Tx:1351nm Ch2-Rx:1371nm<br>Ch3-Tx:1391nm Ch3-Rx:1411nm<br>Ch4-Tx:1431nm Ch4-Rx:1451nm<br>Ch5-Tx:1471nm Ch5-Rx:1491nm<br>Ch6-Tx:1511nm Ch6-Rx:1531nm<br>Ch7-Tx:1551nm Ch7-Rx:1571nm<br>Ch8-Tx:1591nm Ch8-Rx:1611nm |
| Filter Technology:                  |                    |       | TFF (Thin Film Filter)   |
| Passband:                           | $\lambda_{center}$ | nm    | $\pm 6.5$ nm   |
| Channel Spacing:                    |                    | nm    | 20 nm  |
| Band-Pass ("Skip") Filters:         |                    |       | Yes  |
| Insertation Loss Passband:          | Max                | dB    | 3.0 dB   |
| Insertation Loss 1% Monitor Port:   | Max                | dB    | 23.8 dB  |
| Monitoring Port Type:               |                    |       | Yes - 1% Monitoring Port   |
| Isolation Adjacent Channels:        | Min                | dB    | 30 dB  |
| Isolation Non-Adjacent Channels:    | Min                | dB    | 40 dB  |
| Channel Passband Ripple:            | Min                | dB    | 0.3 dB   |
| Plarization Dependant Los (PDL):    | Max                | dB    | <0.15 dB   |
| Polarization Mode Dispersion (PMD): | Max                | ps/nm | < 0.20 ps/nm   |
| Directivity:                        | Min                | dB    | >50 dB   |
| Return Loss:                        | Min                | dB    | >45 dB   |
| Maximum Power Handling:             | Max                | mW    | < 300 mW   |
| Connectors:                         |                    |       | LC Adapters for use with TIA/EIA 604-10 compliant LC UPC Connectors  |
| Operating Temperature:              |                    | (°C)  | -5~+70 (°C)  |
| Storage Temperature:                |                    | (°C)  | -40~+85 (°C)   |
| Dimensions (W x H x D):             |                    | mm    | 214 x 41.3 x 198   |
| Relative Humidity:                  |                    | %     | 0 - 90%  |
| Compliance:                         |                    |       | ITU-T G.694.2, CE, ISO, RoHS, Telecordia GR-20   |



## Functional Diagram:



## Network Diagram:



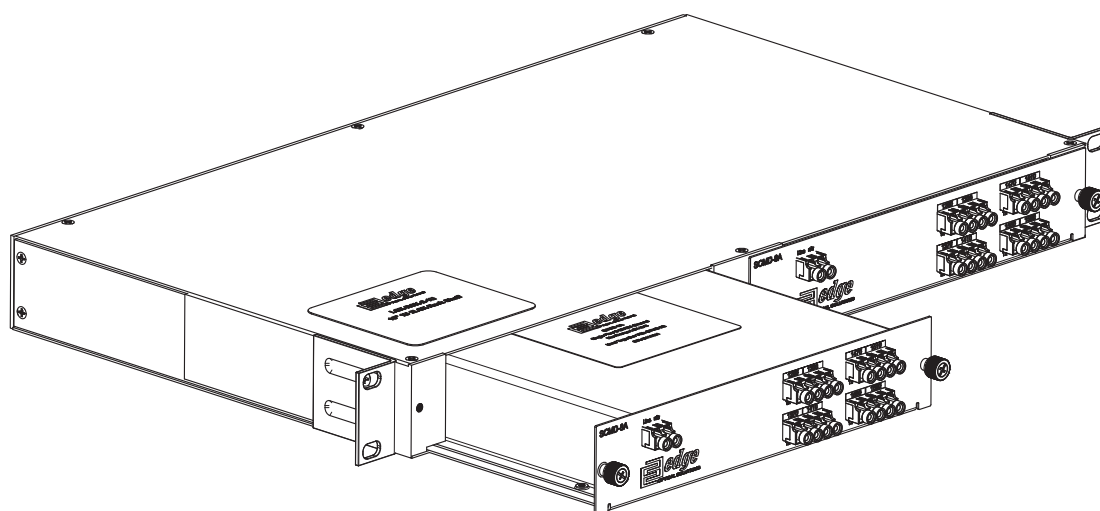
## Front Panel:



**Line:** Line interface for common signal  
**Mon.** Interface for in-service performance testing

1270-1610: CWDM Channel colored transceivers interfaces

## Installation:



In order to install CWDM LGX Module in 19" rack, please order 19" 1U sub-rack supporting up to two LGX modules. Product code **LGX-RCK-2-1U**.

## Warranty:

EDGE Optic's provides a limited warranty for **sixty (60)** months from Purchaser's receipt of the Equipment represented in this data sheet against defective design or workmanship.

